



Product Specification



Product name:	<u>RFID NFC Sticker</u>
Item No.:	<u>LDF-D30L</u>
Version:	<u>V1.0</u>
Date:	<u>2020.03.09</u>

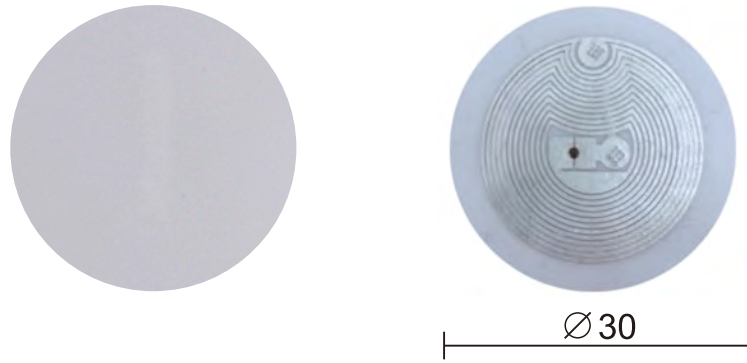
Tel: +86-755-89379391

Fax: +86-755-89379456

E-mail: sales@leadercolor.com

www.leadercolor.com

Add: 2F, Building A11, No.6 Xinfeng Road, Taizhong Industrial Zone, Longgang District, Shenzhen China 518172



Quick Details

LDF-D30L RFID NFC Sticker comes with size of diameter 30mm, Mifare® Classic Chip and PVC material. It uses the standards-based, proximity contactless connectivity technology that enables simple and safe two-way interactions between electronic devices, allowing consumers to perform contactless transactions which is specially designed for mobile payment.

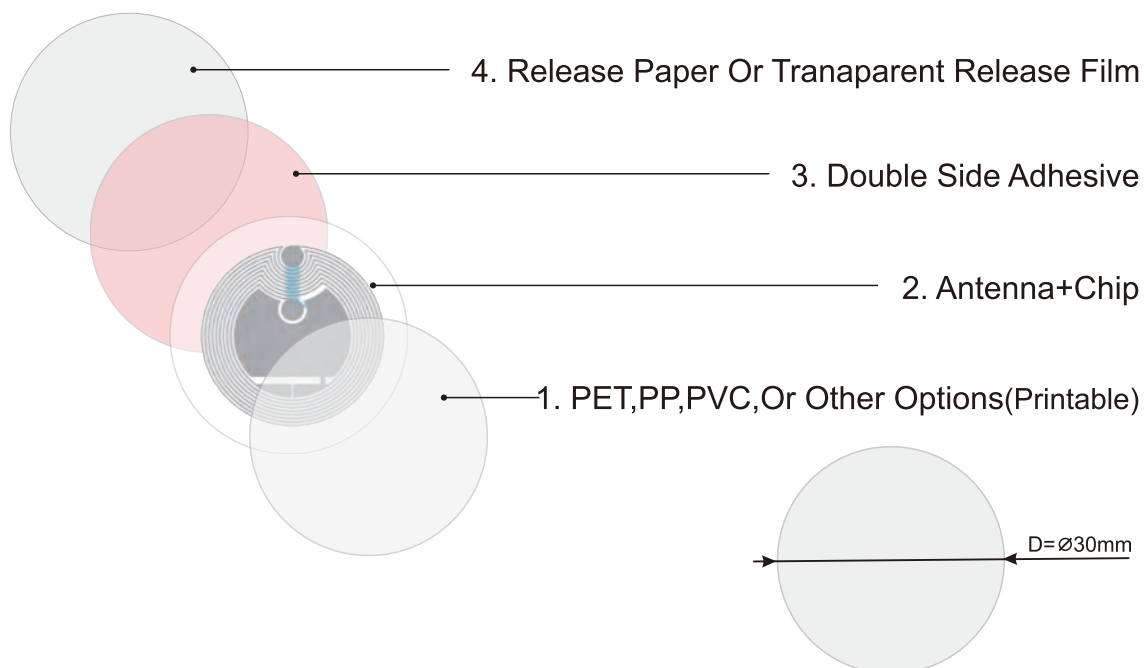
RFID Parameter

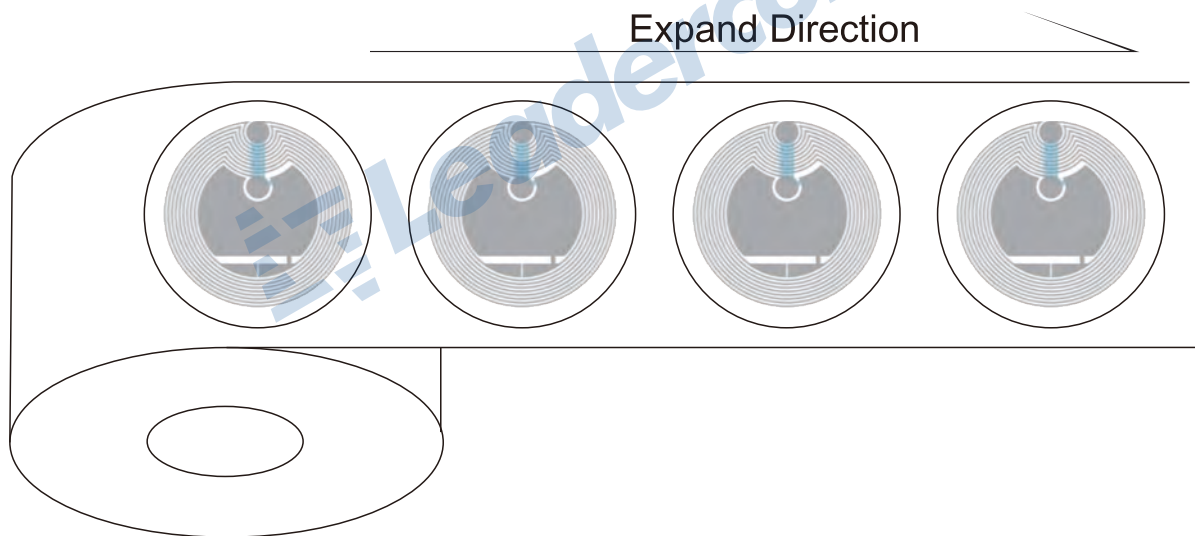
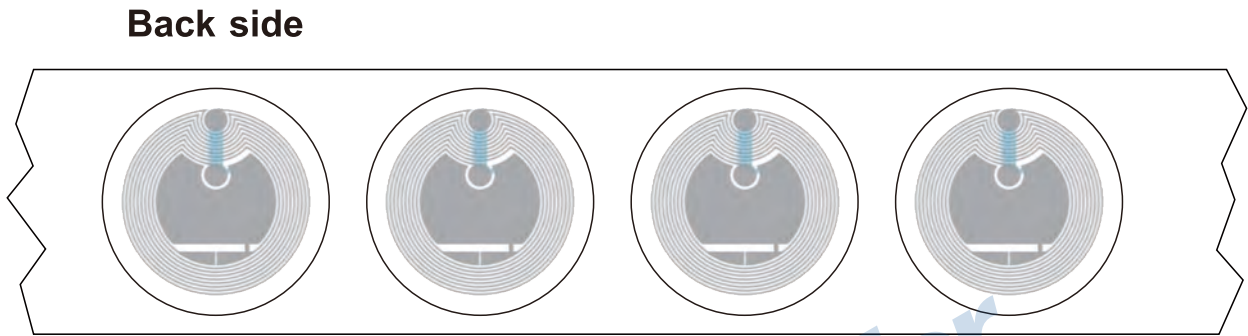
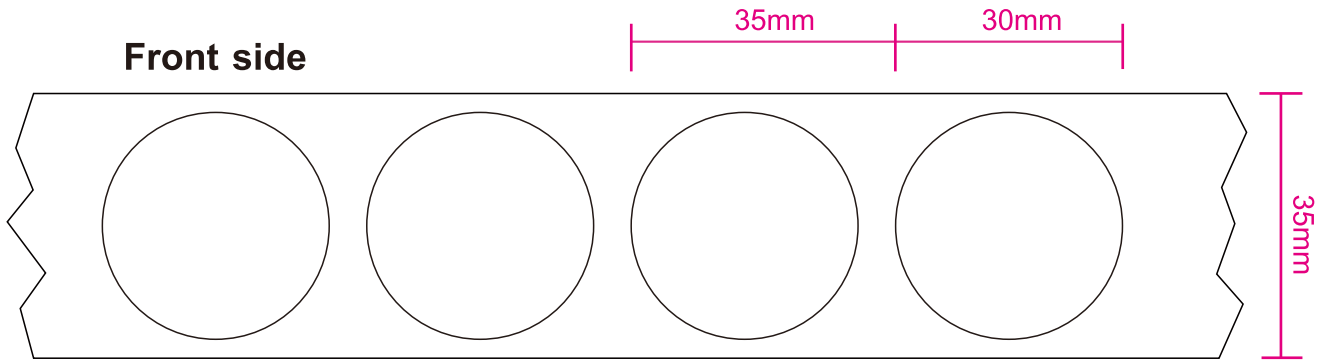
Model No.	LDF-D30L
Type	NFC Sticker
Protocol	ISO / IEC 14443 A & 18000-3
Frequency	Worldwide HF 13.56Mhz
Chip	MIFARE Classic® 1K
Memory	UID 4/7Byte, User 1K Byte
Read&Write	Supported
Read Range	0.1-10cm
Data retention	10years
Programming Cycles	100,000 cycles

Physical Parameter

Size	Diameter 30mm / Diameter 1.18inch;
Substrate Material	Transparent Release Film
Antenna Material	Aluminum Etching
Surface Material	PVC waterproof
Tamper Proof	Yes
Encode	Supported
Installation	Self adhesive
Operating Temperature	-25°C ~ +65°C
Operating Humidity	20% ~ 90%RH
Package	3000pcs/roll
customized Service	Optional Chips: MIFARE® Series, NTAG® Series Optional Materials: Coated Paper; PVC Paper; Synthetic PP Paper; PET Paper; Optional Glues: Standard Glues; 3M Glues; Strong Glues; Optional Printing: Offset Printing; Barcode Printing; UID Number Printing; UV Printing Optional Crafts: UID encoding; Optional Sizes: Smaller or Bigger

Structure





Application

- NFC posters, NFC device data connection and data transmission
- Mobile payment, Mobile wallet
- Product identification, personnel identification management
- E-ticketing, Loyalty System, Marketing and Advertisements

