



## PRODUCT SPECIFICATION



<b>Product name:</b>	<u>NFC Paper Sticker</u>
<b>Item No.:</b>	<u>LDF-D20L</u>
<b>Version:</b>	<u>V1.0</u>
<b>Date:</b>	<u>2020.04.10</u>

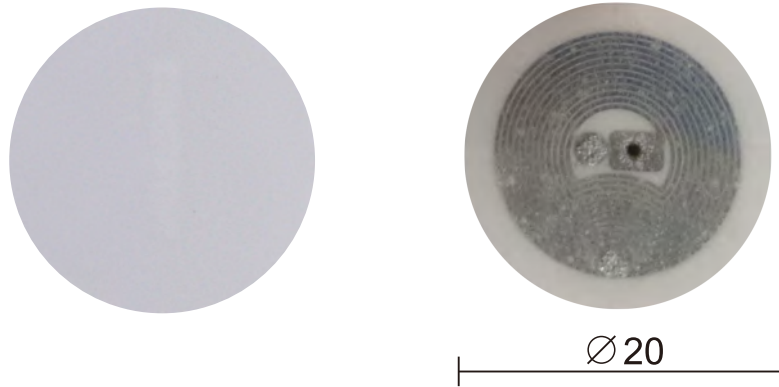
Tel: +86-755-89379391

Fax: +86-755-89379456

E-mail: [sales@leadercolor.com](mailto:sales@leadercolor.com)

[www.leadercolor.com](http://www.leadercolor.com)

Add: 2F, Building A11, No.6 Xinfeng Road, Taizhong Industrial Zone, Longgang District, Shenzhen China



## Quick Details

LDF-D20L RFID NFC Sticker comes with size of diameter 20mm, compatible Mifare®Classic Chip and coated paper material. It uses the standards-based, proximity contactless connectivity technology that enables simple and safe two-way interactions between electronic devices, allowing consumers to perform contactless transactions which is specially designed for mobile payment.

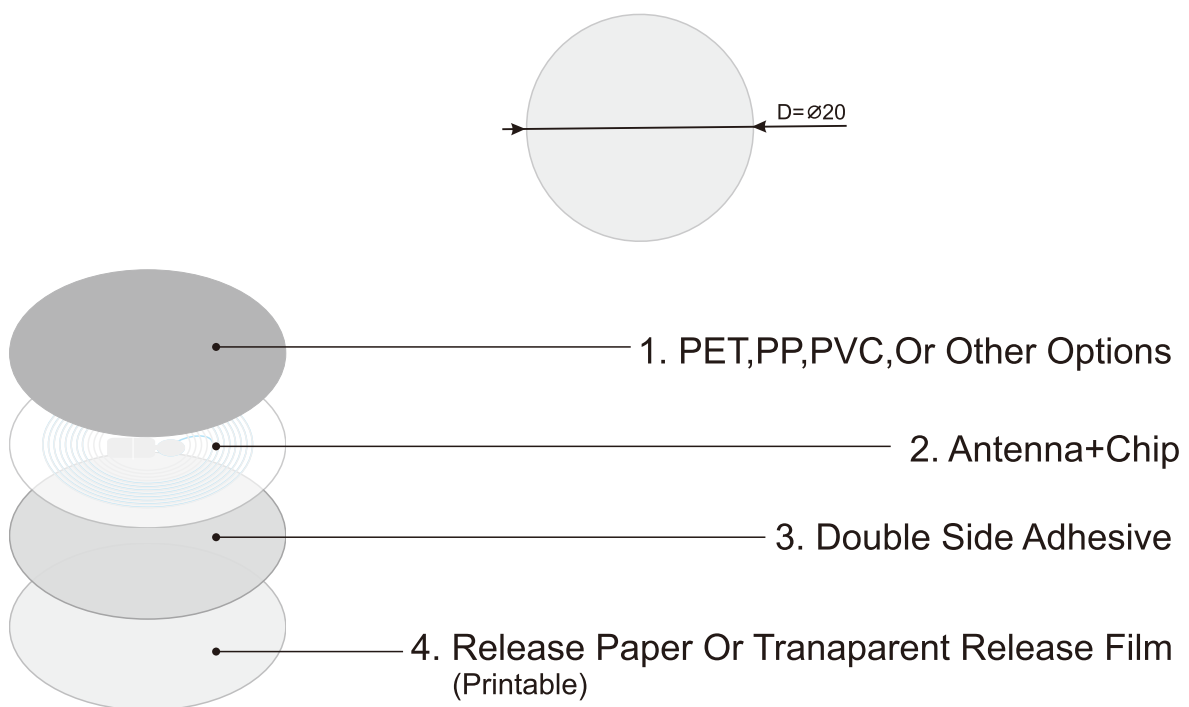
## RFID Parameter

Model No.	LDF-D20L
Type	HF NFC Sticker
Protocol	ISO / IEC 14443 A & 18000-3
Frequency	Worldwide HF 13.56Mhz
Chip	Compatible MIFARE Classic® 1K
Memory	UID 4/7Byte, User 1K Byte
Read&Write	Supported
Read Range	0.1-10cm
Data retention	10years
Programming Cycles	100,000 cycles

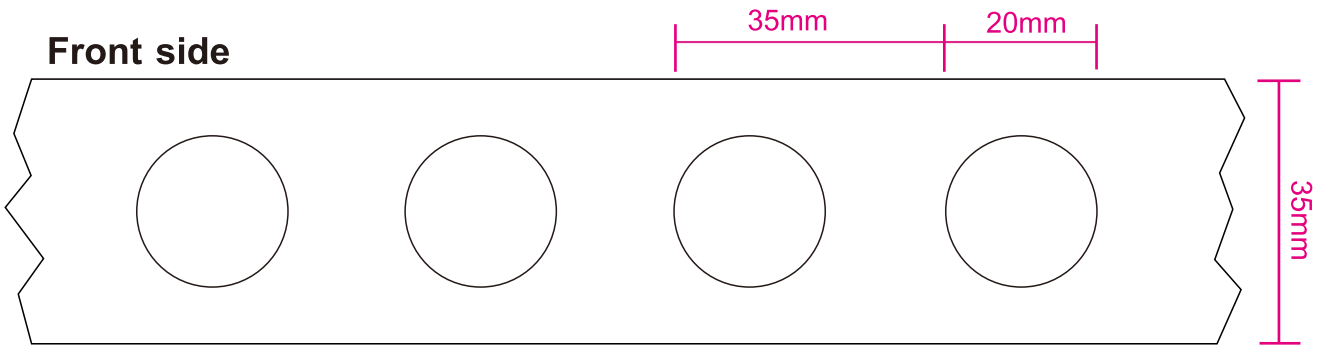
## Physical Parameter

Size	Diameter 20mm / Diameter 0.79inch;
Substrate Material	Transparent Release Film
Antenna Material	Aluminum Etching
Surface Material	Coated paper
Tamper Proof	Yes
Encode	Supported
Installation	Self adhesive
Operating Temperature	-10°C ~ +50°C
Operating Humidity	20% ~ 90%RH
Package	3000pcs/roll
Customized Service	Optional Chips: MIFARE® Series, NTAG® Series Optional Materials: Coated Paper; PVC Paper; Synthetic PP Paper; PET Paper; Optional Glues: Standard Glues; 3M Glues; Strong Glues; Optional Printing: Offset Printing; Barcode Printing; UID Number Printing; UV Printing Optional Crafts: UID encoding; Optional Sizes: Smaller or Bigger

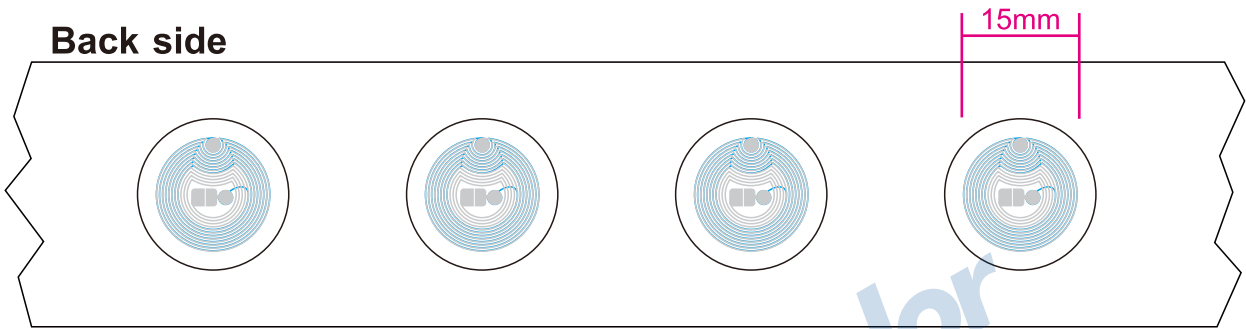
## Structure



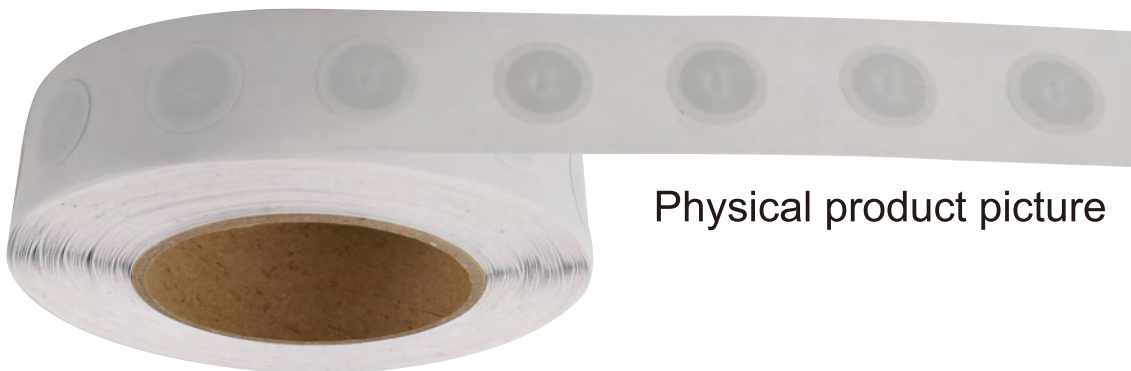
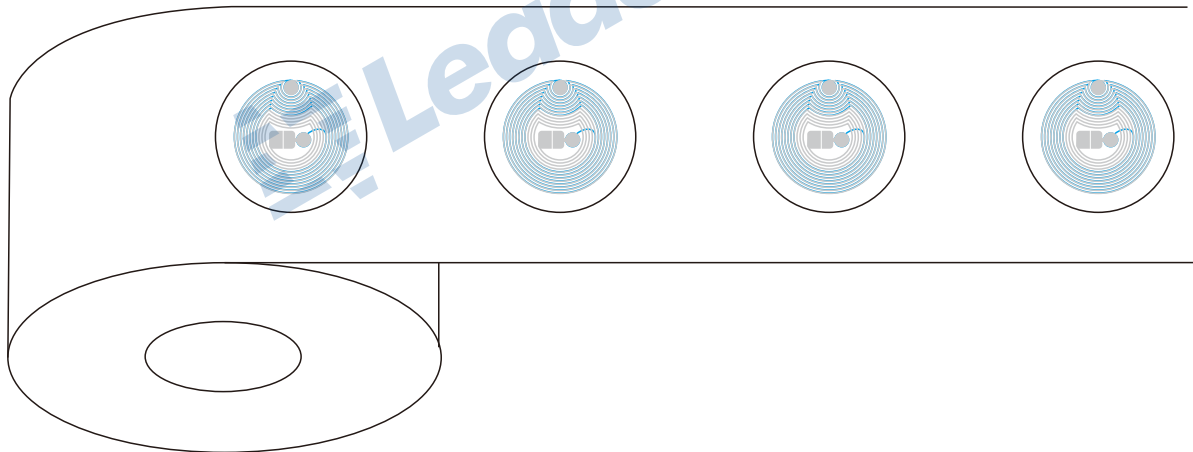
Front side



Back side



Expand Direction



Physical product picture

## Application

- NFC posters, NFC device data connection and data transmission
- Mobile payment, Mobile wallet
- Product identification, personnel identification management
- E-ticketing, Loyalty System, Marketing and Advertisements

