



Product Specification



Product name:	<u>HF NFC Sticker</u>
Item No.:	<u>LDR-7650L</u>
Version:	<u>V1.0</u>
Date:	<u>2019.11.28</u>

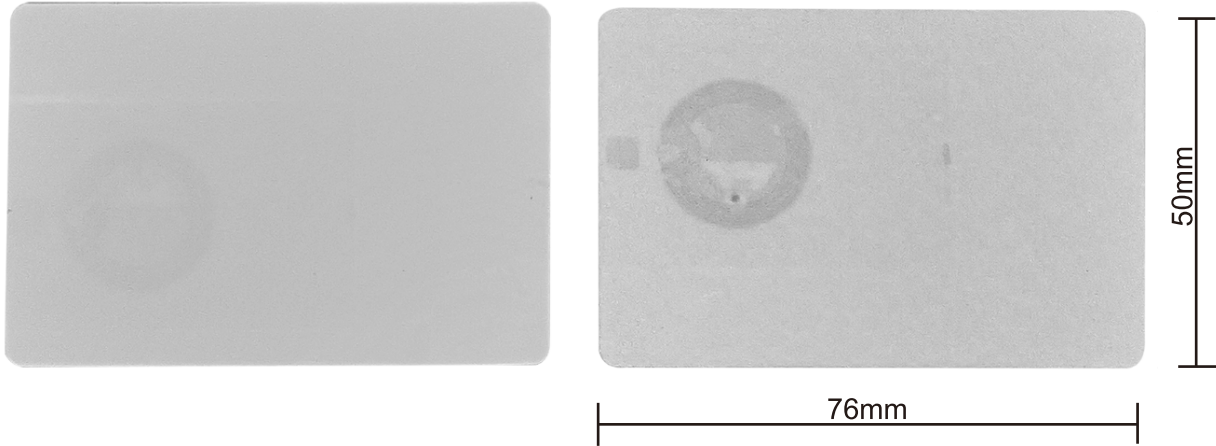
Tel: +86-755-89379391

Fax: +86-755-89379456

E-mail: sales@leadercolor.com

www.leadercolor.com

Add: 2F, Building A11, No.6 Xinfeng Road, Taizhong Industrial Zone, Longgang District, Shenzhen China 518172



Quick Details

Leadercolor LDF-7650L RFID NFC Label is complaint with ISO14443A protocol and it fits for all 13.56mhz Type A readers and antennas. It's read range up to 10cm and it supports printing on printer by rolls. It mostly used for mobile payment, E-ticketing and Product Authentication.

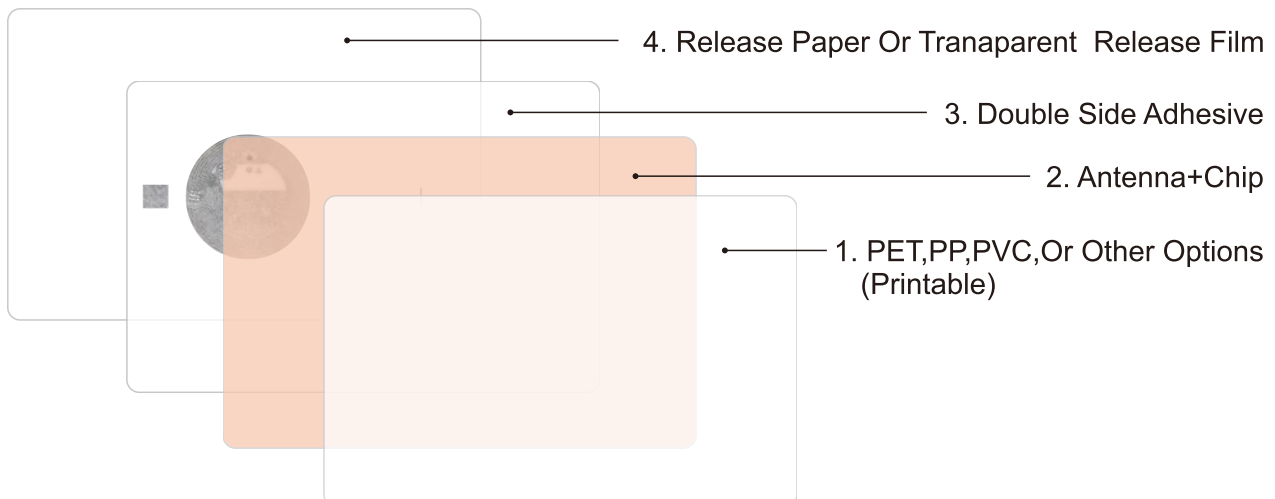
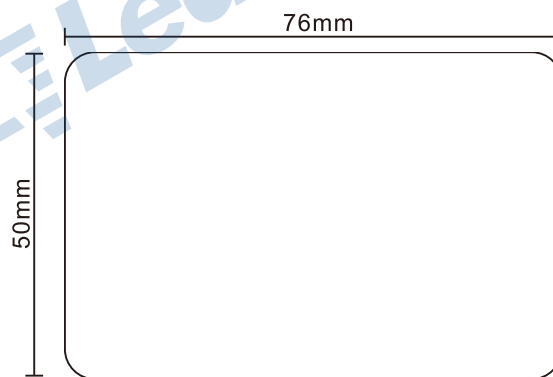
RFID Parameter

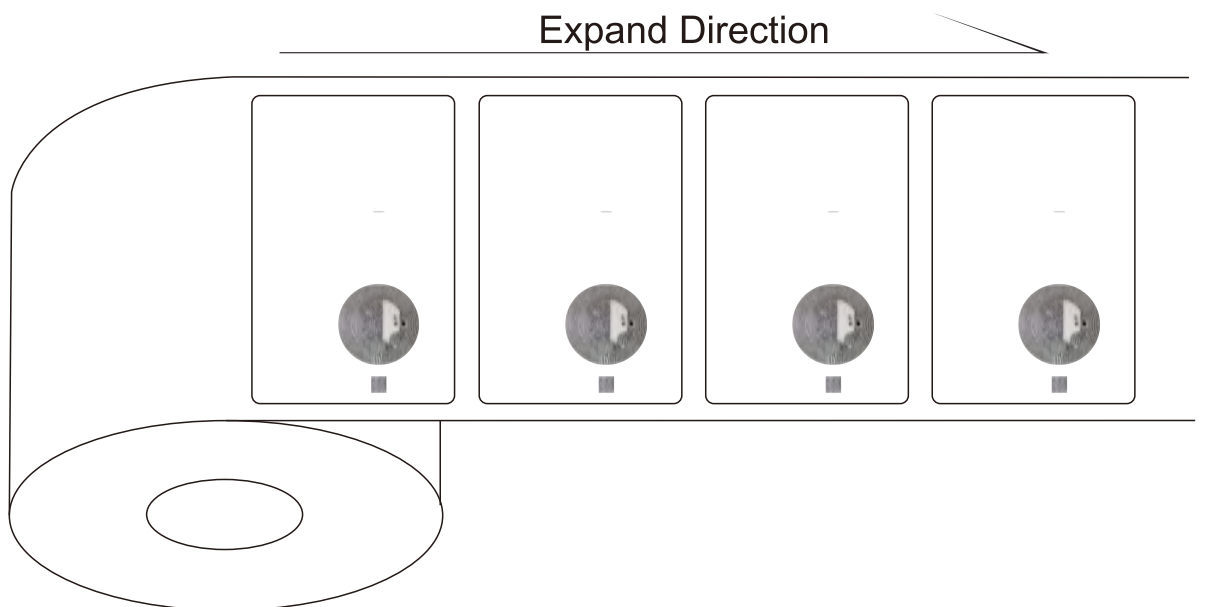
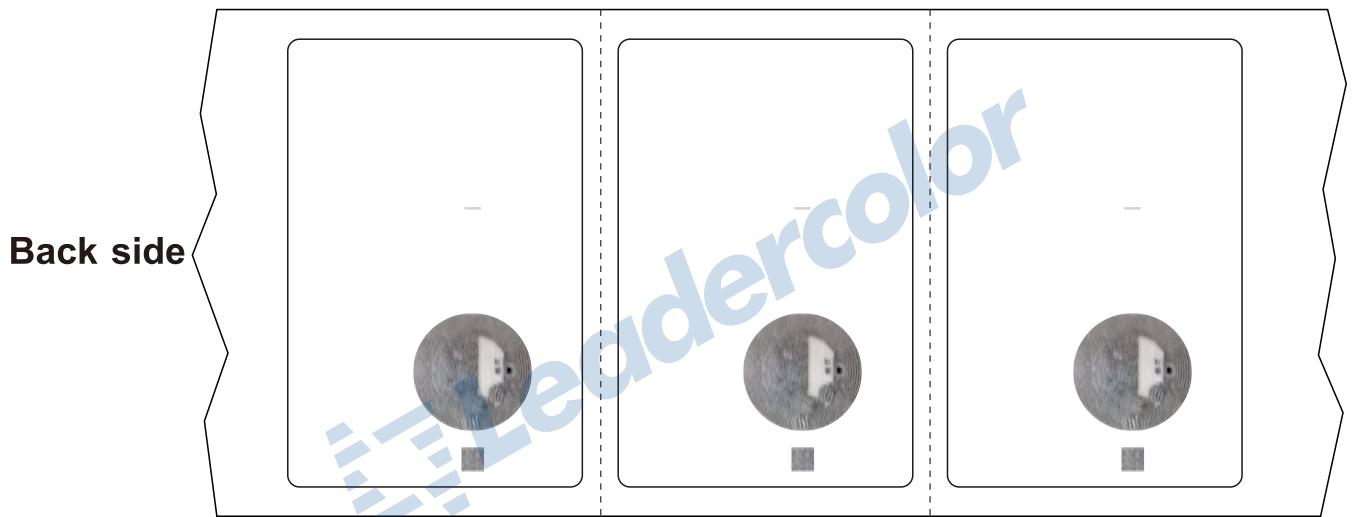
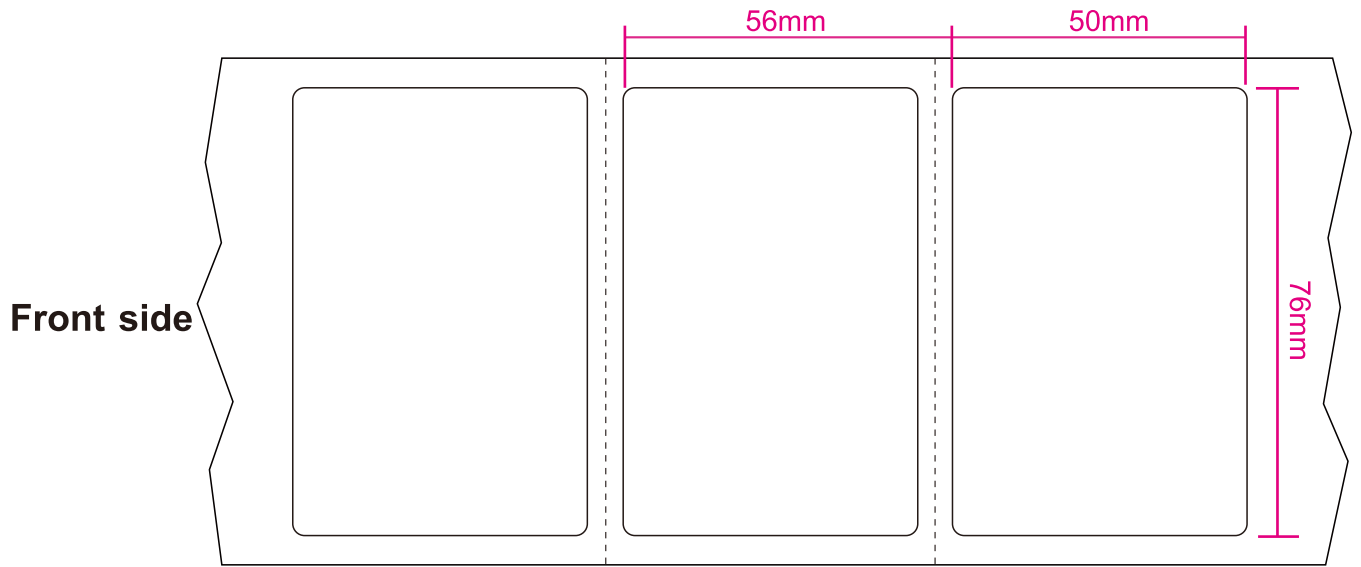
Model No.	LDF-7650L
Type	HF NFC Sticker
Protocol	ISO / IEC 14443 A & 18000-3
Frequency	Worldwide HF 13.56Mhz
Chip	NTAG® 213
Memory	UID 7Byte, User 144 Byte
Read&Write	Supported
Read Range	0.1-10cm
Data retention	10years
Programming Cycles	100,000 cycles

Physical Parameter

Size	76×50mm / 2.99×1.97inch
Substrate Material	Transparent Release Film
Antenna Material	Aluminum Etching
Surface Material	PET waterproof
Tamper Proof	Yes
Encode	Supported
Installation	Self adhesive
Operating Temperature	-50℃ ~ +85℃
Operating Humidity	20% ~ 90%RH
Package	2000pcs/roll, 2500pcs/roll, 3000pcs/roll
customized Service	Optional Chips: MIFARE® Series, NTAG® Series Optional Materials: Coated Paper; PVC Paper; Synthetic PP Paper; PET Paper; Optional Glues: Standard Glues; 3M Glues; Strong Glues; Optional Printing: Offset Printing; Barcode Printing; UID Number Printing; UV Printing Optional Crafts: UID encoding; Optional Sizes: Smaller or Bigger

Structure





Application

- NFC posters, NFC device data connection and data transmission
- Mobile payment, Mobile wallet
- Product identification, personnel identification management
- E-ticketing, Loyalty System, Marketing and Advertisement

